

# Kalıp ve İskele Sistemleri

## Formwork & Scaffolding Systems

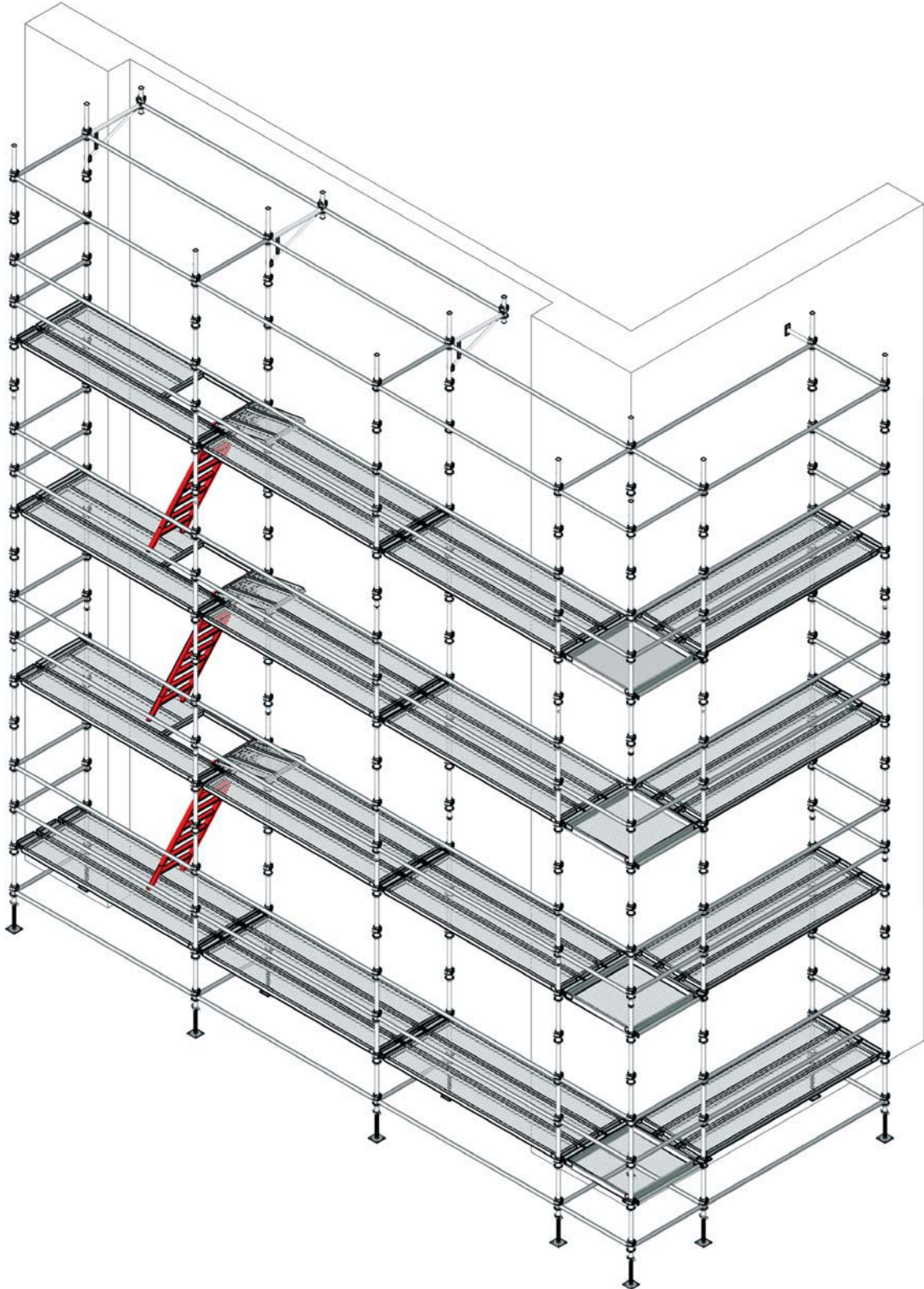


Ürün katalođu  
Product catalog

1984 ✓

## Dış cephe iskele CUPLOK

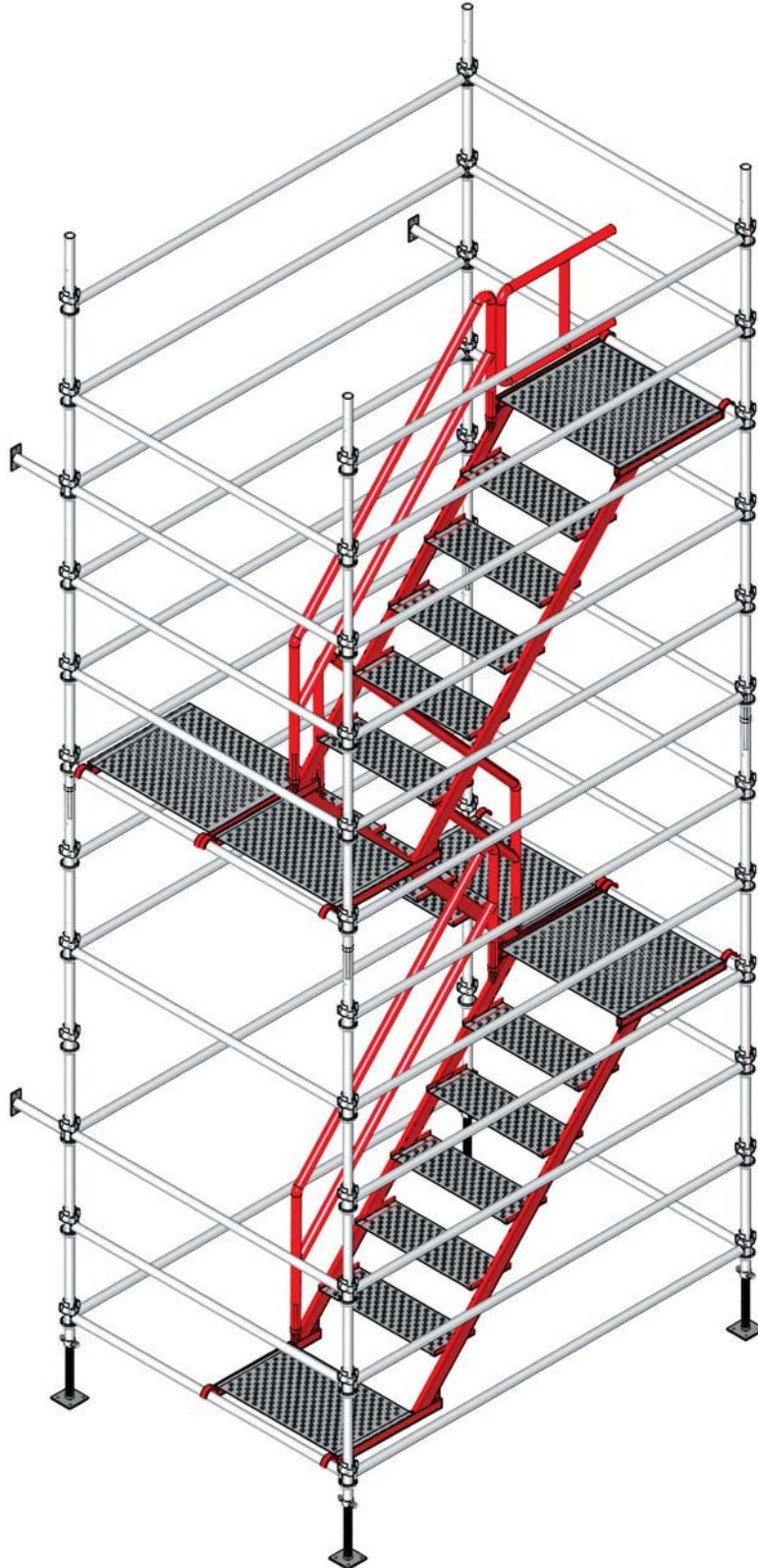
### *Facade scaffold*





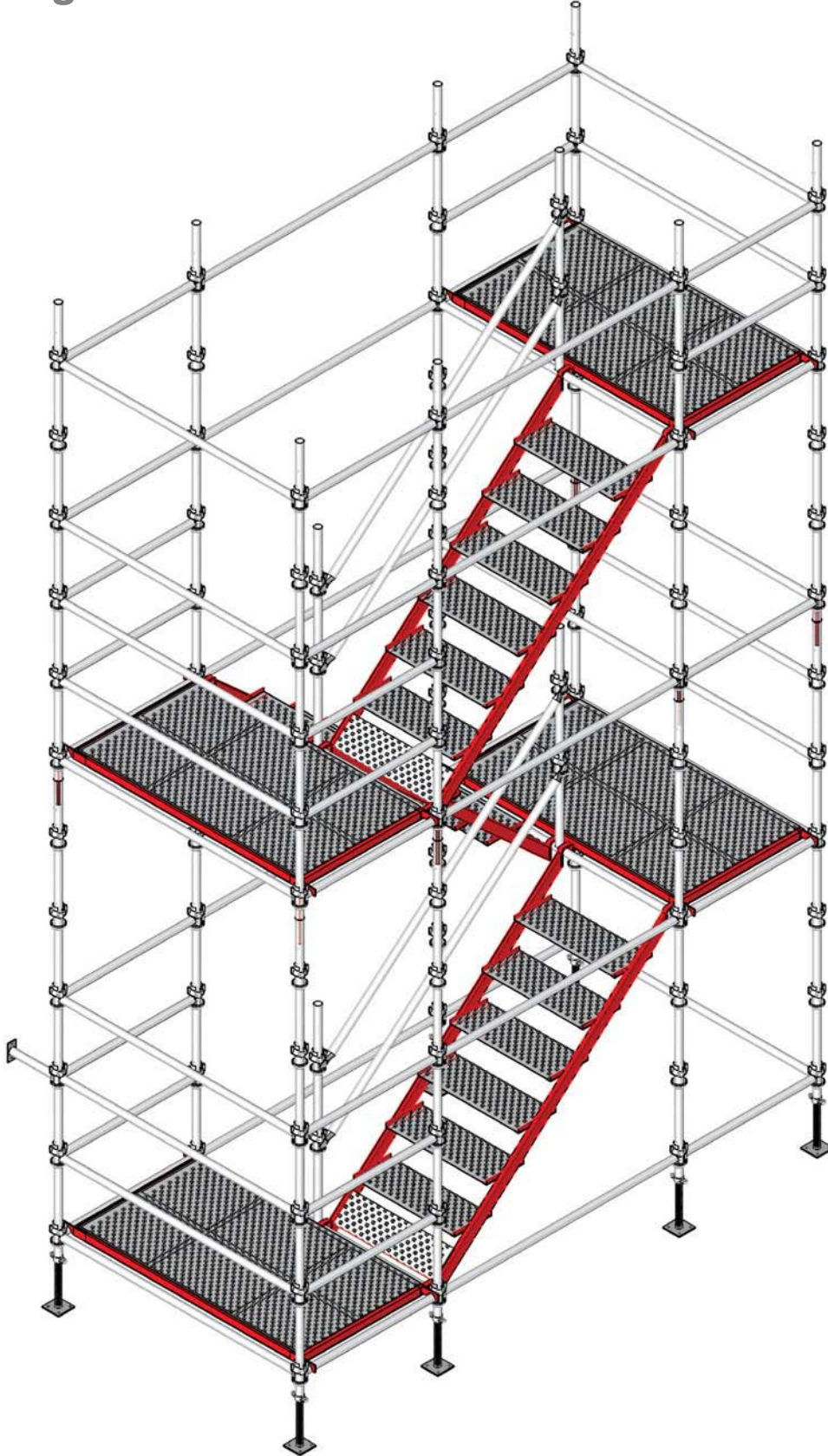
## 4 ayaklı merdiven kulesi

### *4-leg stair tower*



## 8 ayaklı merdiven kulesi

### *8-leg stair tower*



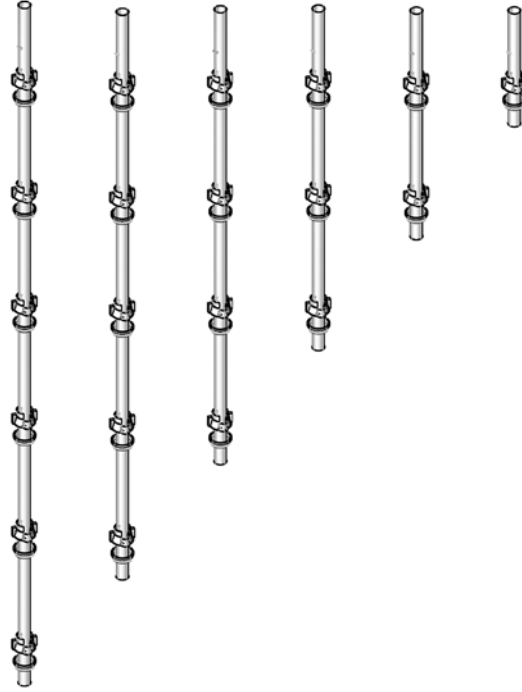
# Dış cephe iskele CUPLOK

## Facade scaffold

### Dikey cuplok G50 / Standard cuplok G50

parça / item no

kg



300 cm  
250 cm  
200 cm  
150 cm  
100 cm  
50 cm

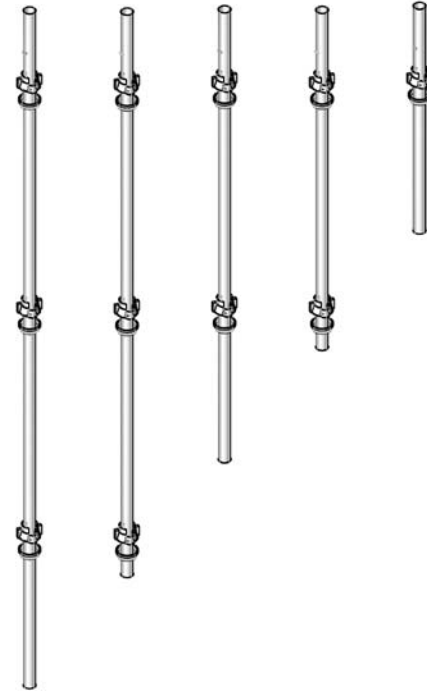
**072 6300**  
**072 6250**  
**072 6200**  
**072 6150**  
**072 6100**  
**072 6050**

14,28  
11,90  
9,52  
7,14  
4,76  
2,38

Çanak aralıkları: 50 cm / Cup joint intervals: 50 cm

Aksesuar elemanı: Geçme parçası / Accessories: Spigot

### Dikey cuplok G100 / Standard cuplok G100



300 cm  
250 cm  
200 cm  
150 cm  
100 cm

**072 3300**  
**072 3250**  
**072 3200**  
**072 3150**  
**072 3100**

12,15  
10,50  
8,10  
6,50  
4,05

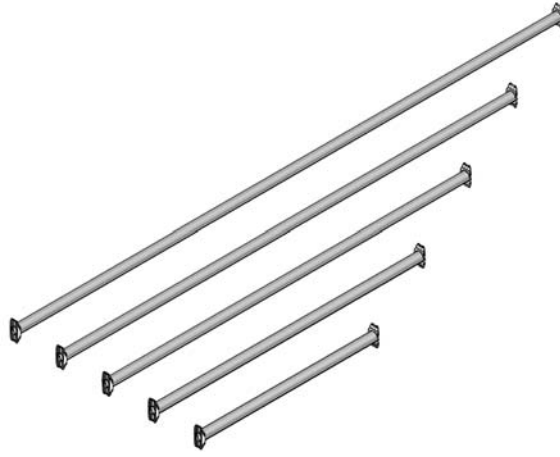
Çanak aralıkları: 100 cm / Cup joint intervals: 100 cm

Aksesuar elemanı: Geçme parçası / Accessories: Spigot

# Dış cephe iskele CUPLOK

## Facade scaffold

### Yatay cuplok 3.0 / Horizontal cuplok 3.0



300 cm
250 cm
225 cm
200 cm
175 cm
150 cm
125 cm
100 cm
87,5 cm
75 cm
50 cm
13 cm

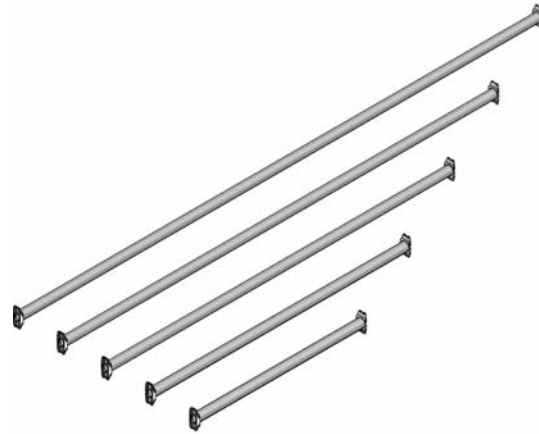
parça / item no

kg

<b>072 1300</b>	10,35
<b>072 1250</b>	8,67
<b>072 1225</b>	7,84
<b>072 1200</b>	7,00
<b>072 1175</b>	6,16
<b>072 1150</b>	5,32
<b>072 1125</b>	4,49
<b>072 1100</b>	3,65
<b>072 1087</b>	3,25
<b>072 1075</b>	2,81
<b>072 1050</b>	1,98
<b>072 1013</b>	0,65

Yatay uzunluklar dikey elemanların boru aksları arasındaki mesafedir /  
Horizontal lengths are center-to-center distances between two verticals

### Yatay cuplok 2.5 / Horizontal cuplok 2.5



300 cm
250 cm
225 cm
200 cm
175 cm
150 cm
125 cm
100 cm
87,5 cm
75 cm
50 cm
13 cm

<b>072 2300</b>	8,80
<b>072 2250</b>	7,38
<b>072 2225</b>	6,68
<b>072 2200</b>	6,00
<b>072 2175</b>	5,27
<b>072 2150</b>	4,56
<b>072 2125</b>	3,86
<b>072 2100</b>	3,15
<b>072 2087</b>	2,80
<b>072 2075</b>	2,45
<b>072 2050</b>	1,74
<b>072 2013</b>	0,70

Yatay uzunluklar dikey elemanların boru aksları arasındaki mesafedir /  
Horizontal lengths are center-to-center distances between two verticals

### Duvar dayama cuplok / Wall support cuplok



25 cm
30 cm
35 cm

<b>072 9025</b>	1,18
<b>072 9030</b>	1,34
<b>072 9035</b>	1,46

### Ayarlı duvar dayama 1 / Adjustable wall support 1



60 cm
100 cm
120 cm
150 cm

<b>072 9060</b>	1,97
<b>072 9100</b>	3,10
<b>072 9120</b>	3,67
<b>072 9150</b>	4,50

Aksesuar elemanı: Sabit boru kelepçesi 48 mm / Accessories: Double coupler 48 mm

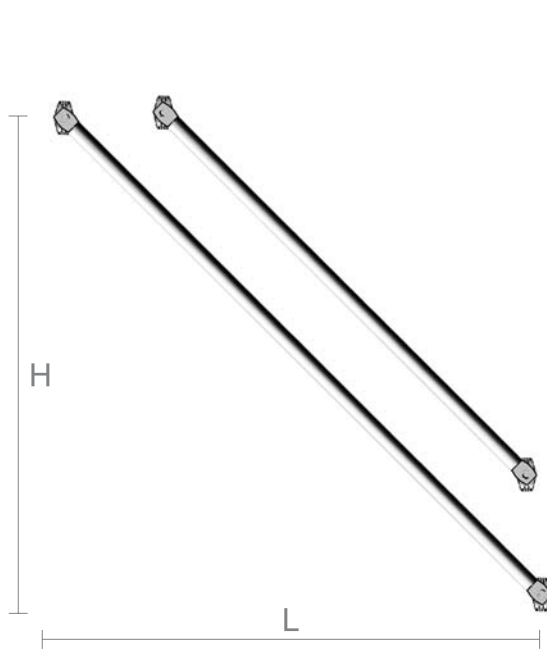
# Dış cephe iskele CUPLOK

## Facade scaffold

### Çapraz eleman cuplok / Face brace cuplok

parça / item no

kg



LxH

300/200 cm

**072 2051**

11,30

250/200 cm

**072 2052**

10,20

200/200 cm

**072 2053**

9,10

175/200 cm

**072 2054**

8,60

150/200 cm

**072 2055**

8,20

250/150 cm

**072 2056**

9,30

175/150 cm

**072 2057**

7,60

150/150 cm

**072 2058**

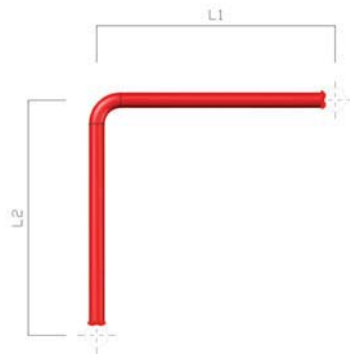
7,10

125/150 cm

**072 2059**

6,60

### Köşe çaprazı cuplok / Corner diagonal cuplok



75/75 cm

**072 9711**

4,15

75/100 cm

**072 9712**

4,70

75/125 cm

**072 9713**

5,30

75/150 cm

**072 9714**

5,90

100/100 cm

**072 9715**

5,15

100/125 cm

**072 9716**

5,70

### Ayarlı duvar dayama 2 / Adjustable wall support 2

50 cm

**005 9061**

1,30



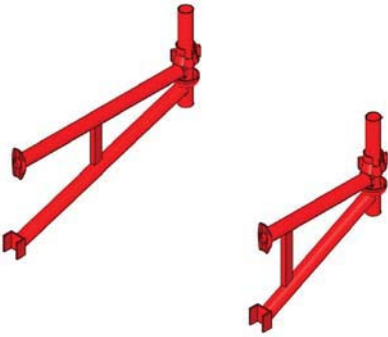
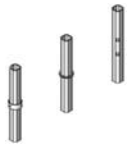


Aksesuar elemanı: Çakma dübel M14 / Accessories: Hammerset anchor M14



# Dış cephe iskele CUPLOK

## Facade scaffold

Alt ayar mili / Base jack		parça / item no	kg
	75 cm 50 cm	<b>072 0750</b> <b>072 0500</b>	3,50 2,80
<b>Konsol A cuplok / Console A cuplok</b>			
	L2 / L1 125/100 cm L2 / L1 100/100 cm L2 / L1 75/100 cm	<b>072 4125</b> <b>072 4100</b> <b>072 4075</b>	17,60 13,00 10,00
<b>Cephe konsolu cuplok / Board bracket cuplok</b>			
	75 cm 50 cm	<b>072 4750</b> <b>072 4537</b>	6,50 5,50
<b>Geçme parçası / Spigot</b>			
	Spigot A Spigot B Spigot C	<b>072 0301</b> <b>072 0302</b> <b>072 0303</b>	0,90 0,90 0,90



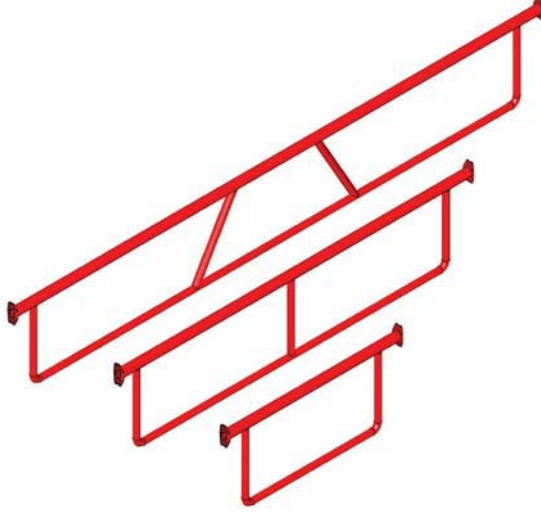
# Dış cephe iskele CUPLOK

## Facade scaffold

### Güvenlik korkuluğu cuplok / Safety horizontal cuplok

parça / item no

kg



300 cm	<b>072 2030</b>	18,35
250 cm	<b>072 2031</b>	16,00
225 cm	<b>072 2032</b>	13,70
200 cm	<b>072 2033</b>	12,50
175 cm	<b>072 2034</b>	11,10
150 cm	<b>072 2035</b>	9,80
125 cm	<b>072 2036</b>	8,50
100 cm	<b>072 2037</b>	6,50
75 cm	<b>072 2038</b>	5,10

Yatay uzunluklar dikey elemanların boru aksları arasındaki mesafedir /  
Horizontal lengths are center-to center distances between two verticals

### Yürüme yolu geçiş kirişi cuplok / Pedestrian crossing beam cuplok



125 cm	<b>072 9726</b>	9,50
150 cm	<b>072 9727</b>	11,20

Yatay uzunluklar dikey elemanların boru aksları arasındaki mesafedir /  
Horizontal lengths are center-to center distances between two verticals

### Ara destek yatayı / Intermediate transom



250 cm	<b>072 2040</b>	7,65
200 cm	<b>072 2041</b>	6,95
175 cm	<b>072 2042</b>	5,50
150 cm	<b>072 2043</b>	4,85
125 cm	<b>072 2044</b>	4,15
100 cm	<b>072 2045</b>	3,45
75 cm	<b>072 2046</b>	2,70

Yatay uzunluklar dikey elemanların boru aksları arasındaki mesafedir /  
Horizontal lengths are center-to center distances between two verticals

# Dış cephe iskele CUPLOK

## Facade scaffold

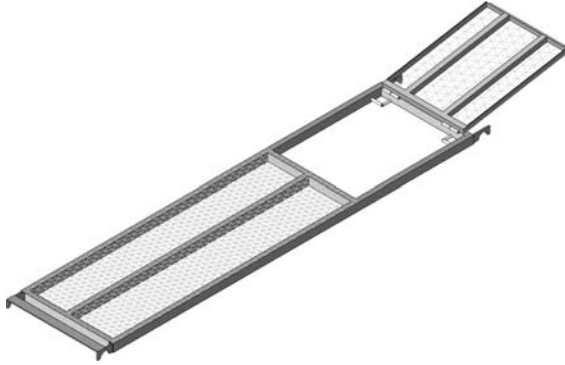
### Çelik yürüme platformu / Steel walking deck



	parça / item no	kg
300/32 cm	<b>072 9831</b>	19,60
250/32 cm	<b>072 9832</b>	16,10
225/32 cm	<b>072 9833</b>	14,70
200/32 cm	<b>072 9834</b>	13,30
175/32 cm	<b>072 9835</b>	11,90
150/32 cm	<b>072 9836</b>	10,50
125/32 cm	<b>072 9837</b>	9,10
100/32 cm	<b>072 9838</b>	7,70
75/32 cm	<b>072 9839</b>	6,30
300/25 cm	<b>072 9821</b>	15,60
250/25 cm	<b>072 9822</b>	13,30
225/25 cm	<b>072 9823</b>	12,20
200/25 cm	<b>072 9824</b>	11,00
175/25 cm	<b>072 9825</b>	9,90
150/25 cm	<b>072 9826</b>	8,70
125/25 cm	<b>072 9827</b>	7,50
100/25 cm	<b>072 9828</b>	6,30
75/25 cm	<b>072 9829</b>	5,20

Platform uzunlukları dikey elemanların boru aksları arasındaki mesafedir /  
Deck lengths are center-to center distances between two verticals

### Kapaklı platform / Access deck



300/64 cm	<b>072 9865</b>	41,00
250/64 cm	<b>072 9866</b>	34,00
200/64 cm	<b>072 9867</b>	28,00


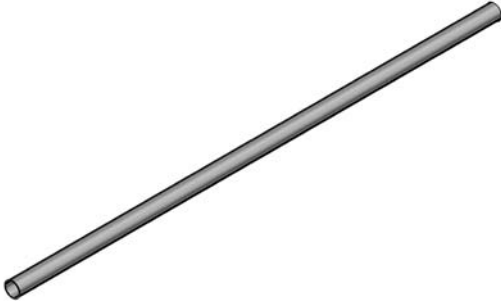




### KP merdiveni / KP ladder



H=200 cm	<b>072 9871</b>	7,00
H=250 cm	<b>072 9872</b>	9,00
H=300 cm	<b>072 9873</b>	11,00

# Dış cephe iskele CUPLOK

## Facade scaffold

Tekmelik klipsi / <i>Toe-board clips</i>	parça / item no	kg
	<b>005 9862</b>	0,20
İskele borusu / <i>Scaffold tube 48/3.0 mm</i>		
	100 cm <b>072 1000</b>	3,35
	150 cm <b>072 1500</b>	5,03
	200 cm <b>072 2000</b>	6,70
	250 cm <b>072 2500</b>	8,38
	300 cm <b>072 3000</b>	10,05
	350 cm <b>072 3500</b>	11,73
	400 cm <b>072 4000</b>	13,40
	450 cm <b>072 4500</b>	15,08
	500 cm <b>072 5000</b>	16,75
	600 cm <b>072 6000</b>	20,10
Boru kelepçesi / <i>Coupler</i>		
	Hareketli / <i>Swivel</i> 48/48 mm <b>005 4810</b>	1,10
	Sabit / <i>Double</i> 48/48 mm <b>005 4811</b>	1,10
Güvenlik elemanı cuplok / <i>Handrail post cuplok</i>		
	<b>072 1501</b>	5,30
İskele yürütme tekeri / <i>Castor wheels</i>		
	Çelik / <i>Steel</i> <b>005 7776</b>	5,50
	Kauçuk / <i>Rubber</i> <b>005 7779</b>	3,00

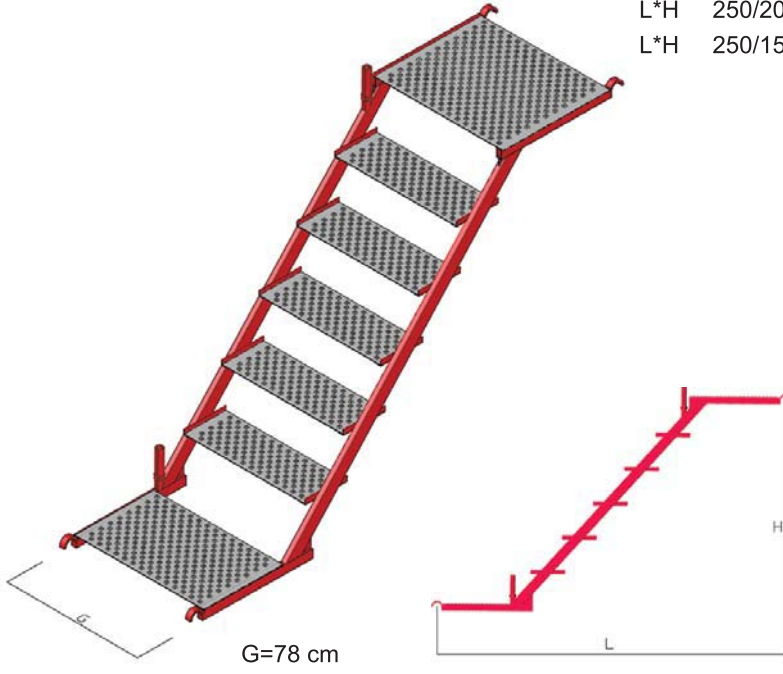
## Dış cephe iskele CUPLOK

### Facade scaffold

#### 4 ayaklı kule merdiven ünitesi / Staircase unit for 4-leg tower

parça / item no

kg



L\*H 250/200 cm

L\*H 250/150 cm

G=78 cm

H

L

**072 1531**

78,00

**072 1532**

68,00

#### 4 ayaklı kule merdiven trabzanı / Handrail for 4-leg tower



250/200 cm

250/150 cm

**072 5141**

19,00

**072 5142**

18,00

#### 4 ayaklı kule final trabzanı / Final handrail for 4-leg tower



**072 5151**

7,00

Aksesuar elemanı: Sabit boru kelepçesi 48 mm / Accessories: Double coupler 48 mm



8 ayaklı kule merdiven ünitesi / Staircase unit for 8-leg tower

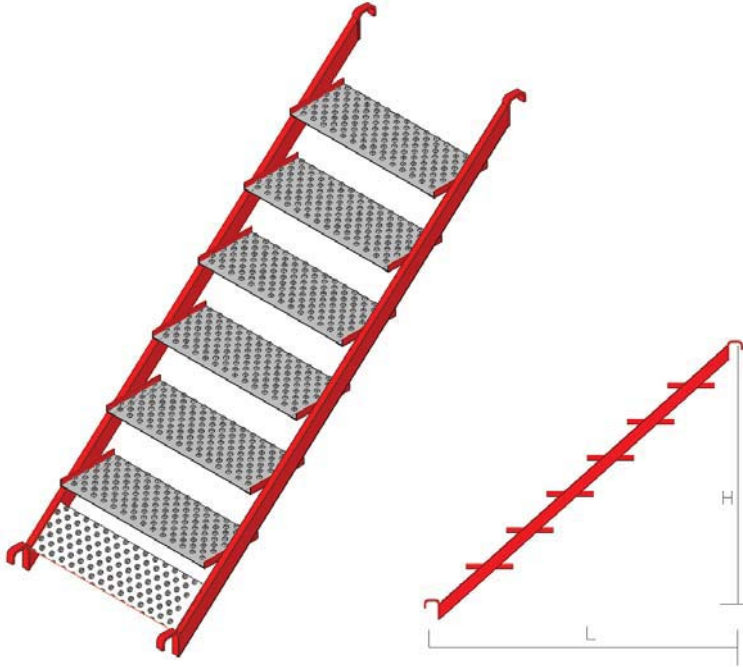
parça / item no

kg

L\*H 175/200 cm

072 5121

56,50



G=78 cm

8 ayaklı kule korkuluk dikmesi / Guard post for 8-leg tower

072 6123

6,00



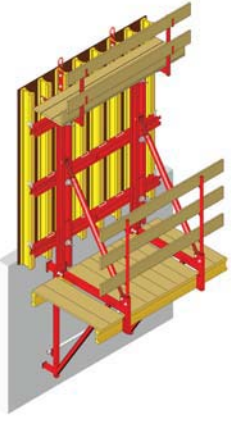
## Dış cephe iskele CUPLOK

*Facade scaffold*









## MAK

**Mühendislik Sanayi ve Ticaret Ltd. Őti.**

Büro/Office: Őerefli Sokak No: 34/2 Tandođan-ANKARA/TÜRKİYE

Tel: + 90 312 223 40 58 - 223 70 08

Fax: + 90 312 213 70 87

GSM: + 90 530 644 73 23

Fabrika/Factory: Eski İstanbul Yolu 25. Km. Sarayköy / ANKARA

mak@mak.com.tr www.mak.com.tr